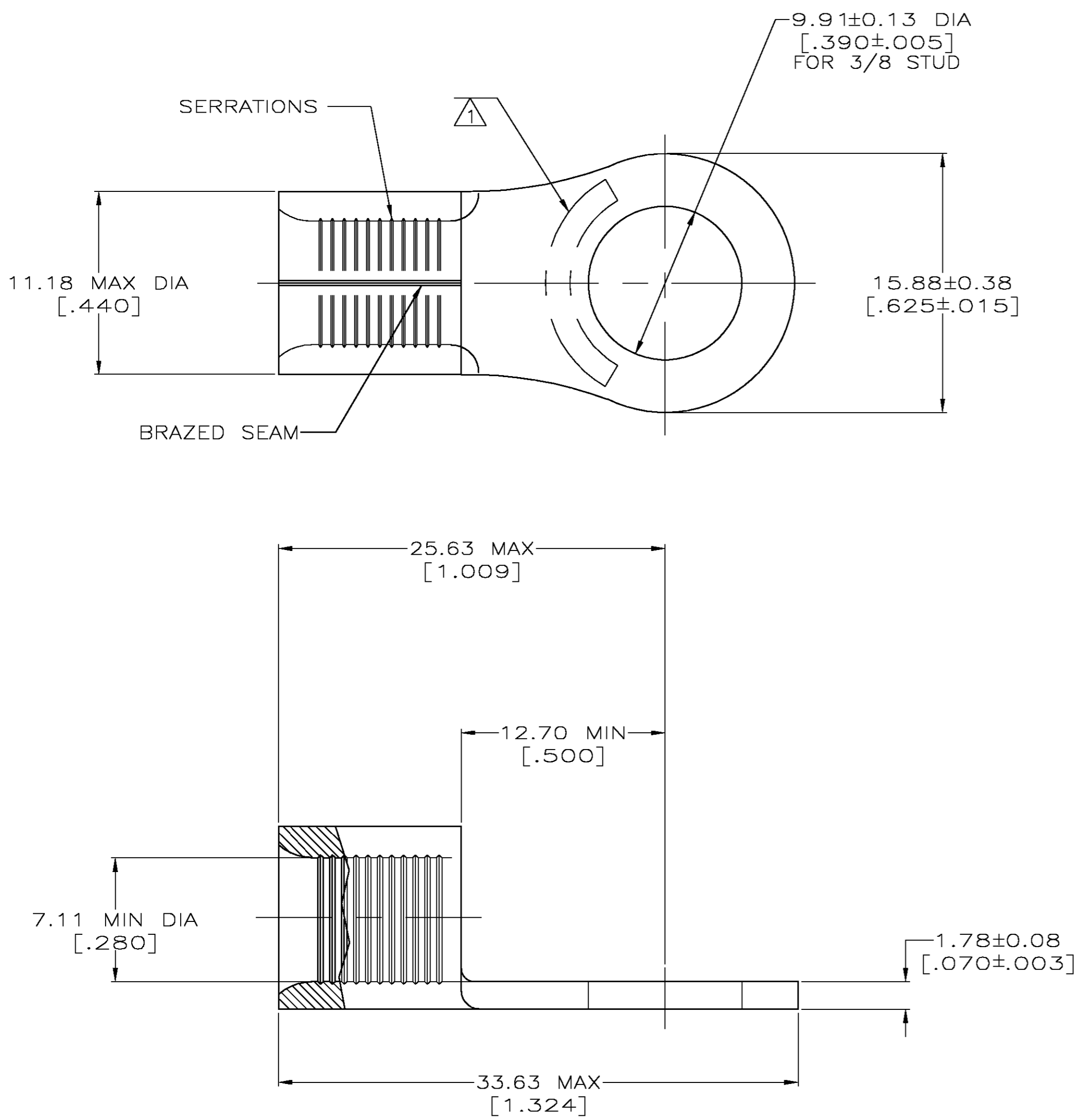


THIS DRAWING IS UNPUBLISHED. RELEASED FOR PUBLICATION  
 © COPYRIGHT BY TYCO ELECTRONICS CORPORATION. ALL RIGHTS RESERVED.

LOC	DIST	REVISIONS					
G	14	P	LTR	DESCRIPTION	DATE	DWN	APVD
		F		REV PER 0G3A-0863-04	28OCT04	JR	MS



<b>AMP</b> WIRE RANGE	<b>UL</b> Listed FILE E13288	<b>SR</b> LR7189 Certified
4 AWG SOLID OR STRANDED	4 AWG STRANDED	4 AWG SOLID OR STRANDED

- ① STAMP AMP 4W\* APPROX AS SHOWN
- ② TIN PLATE 0.00254 [.000100] MIN THK PER ASTM B-545
- ③ GOLD PLATE 0.000076 [.000003] MIN THK PER ASTM B-488, TYPE 2, CODE C, OVER NICKEL PLATE, 0.00127 [.000050] MIN THK PER QQ-N-290.
- ④ COPPER PER ASTM B-152, ANNEALED
- ⑤ PRELIMINARY - NOT FOR PRODUCTION

③	⑤ 2-31812-3
②	31812
FINISH	PART NO.

<b>AMP INCORPORATED CUSTOMER SERVICE SYSTEMS</b>		MAX RECOMMENDED OPERATING TEMPERATURE: 170°C MAX
FOR ADDITIONAL PRODUCT INFORMATION OR COPIES OF DRAWINGS AND TECHNICAL DOCUMENTS	PRODUCT INFORMATION CENTER 1-800-522-6752	VOLTAGE RATING: N/A
FOR APPLICATION TOOLING INFORMATION	TOOLING ASSISTANCE CENTER 1-800-722-1111	CIRCULAR MIL AREA: 16.8-26.7mm² [33,100-52,600] SOLID OR STRANDED
FOR ORDER ENTRY	1-800-526-5142	THIS DRAWING IS A CONTROLLED DOCUMENT FOR AMP INCORPORATED. IT IS SUBJECT TO CHANGE AND THE CONTROLLING ENGINEERING ORGANIZATION SHOULD BE CONTACTED FOR THE LATEST REVISION.

THIS DRAWING IS A CONTROLLED DOCUMENT.		DWN TA BRINKMAN 3-29-93	<b>tyco</b> Tyco Electronics Corporation Harrisburg, Pa 17105-3608	
DIMENSIONS: INCHES	TOLERANCES UNLESS OTHERWISE SPECIFIED:	CHK DA PATTERSON 3-29-93	NAME JL MECKLEY 3-29-93	
	0 PLC ± -	APVD JL MECKLEY 3-29-93	PRODUCT SPEC	
	1 PLC ± -	APPLICATION SPEC	-	
	2 PLC ± -	WEIGHT	-	
	3 PLC ± -	SCALE	4:1	
	4 PLC ± -	CUSTOMER DRAWING	-	
	ANGLES ± -	FINISH	SEE TABLE	
MATERIAL - ④	FINISH	SIZE A2	CAGE CODE 00779	DRAWING NO G=31812
		SHEET	1 OF 1	
		REV	F	

31812

A